



Model: All Serial #: N/A	Jun. 14, 2021
Product Bulletin # TDS-212 Rev 3	

Canrig Universal Hammerless Washpipe

Canrig Drilling Technology Ltd. has developed a new washpipe available with a 3 in. fluid passage and 7,500 psi rating and 4 in. fluid passage and 7,500 psi rating (see Figure 1). This new washpipe is offered with the following three packing options:

- Standard
- High Temperature (HT)
- High Speed (HS)



Figure 1: Canrig Washpipe Assembly



Model: All Serial #: N/A	Jun. 14, 2021
-----------------------------	---------------

New Washpipe Features

- Lower nut has an added pressure plate to pre-energize and lock the outer diameter of the packing rings.
- New washpipe barrel has an improved wear surface for longer service life.
- New packing rings offer a new lubricant on its internal diameter to reduce start-up friction (offered only on High Temperature and High Speed packing options).
- Additional grease fitting in upper spacer ring for improved washpipe greasing.
- Lower and upper nut only require a hand tool, tightening bar, for installation.

New Washpipe Benefits

- New washpipe barrel designed for higher rotational speeds and longer service life.
- The use of hand tools for tightening or loosening the washpipe assembly reduces time for washpipe replacement.
- Eliminating the use of a hammer on this washpipe installation reduces risk associated with occupational injuries.

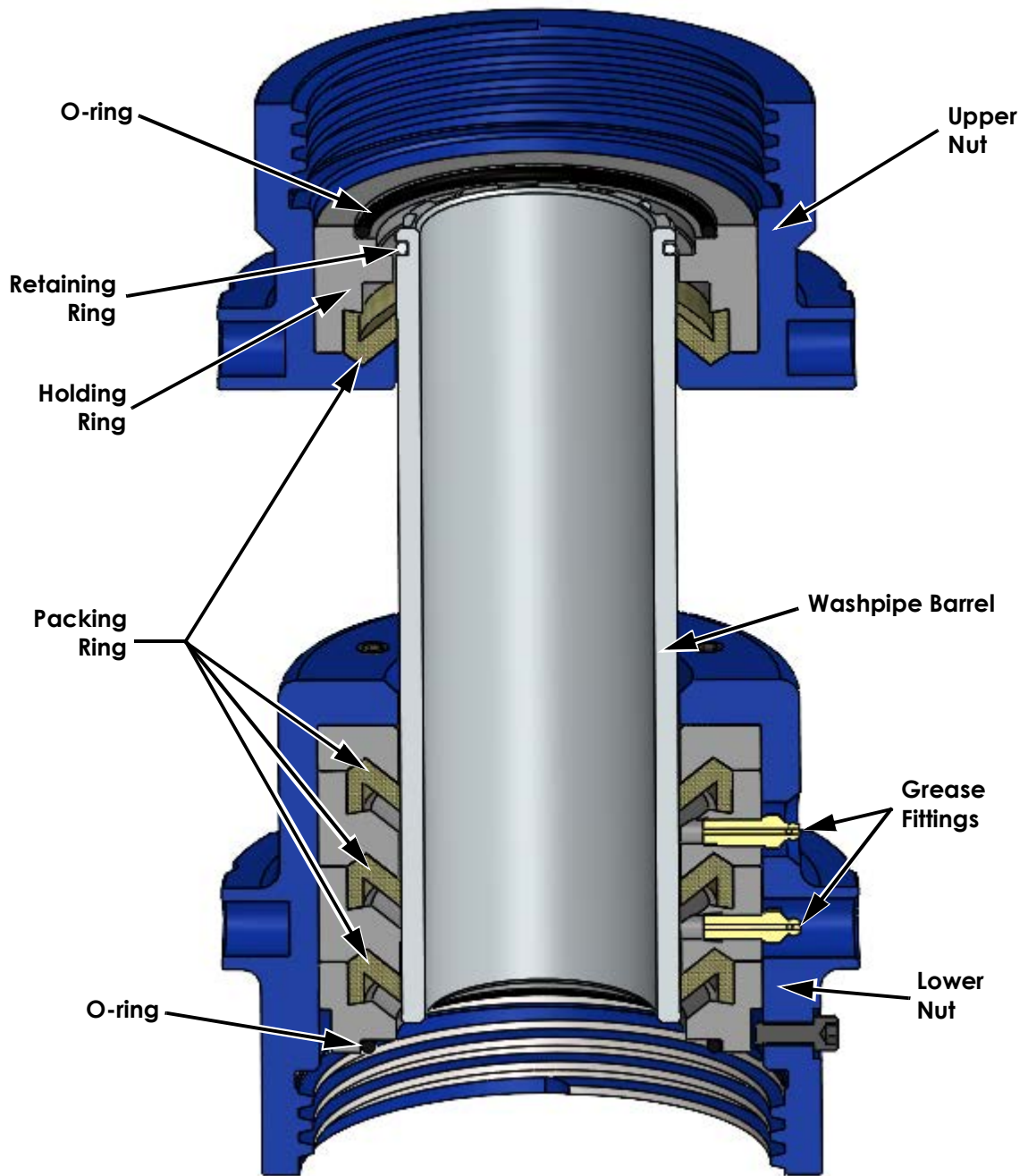


Figure 2: Washpipe Assembly Cross-section

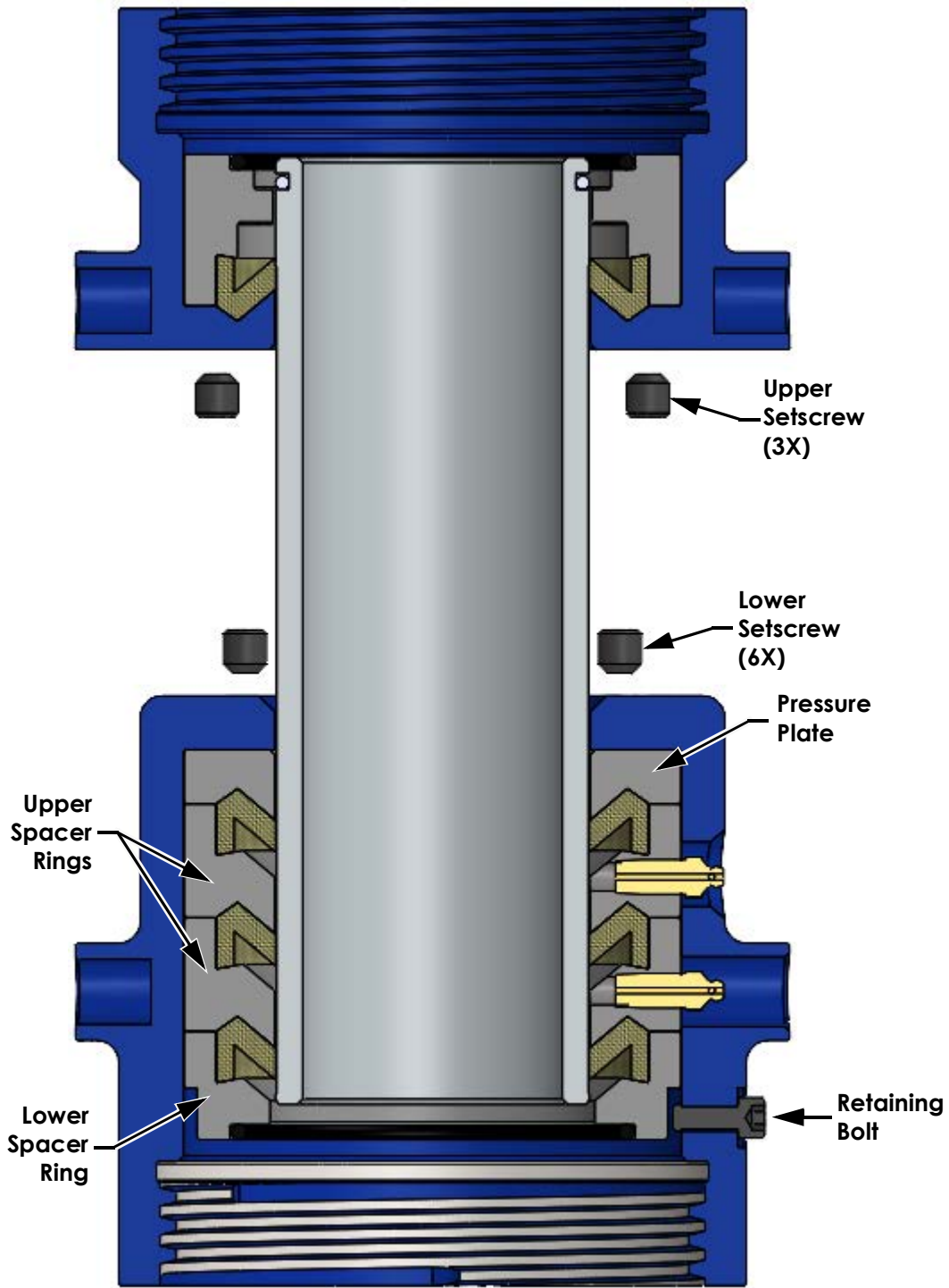


Figure 3: Washpipe Assembly Cross-section



Model: All	Jun. 14, 2021
Serial #: N/A	

Contact RIGLINE 24/7™ to order the new washpipe. Use the tables below to order correct assemblies and spare parts.

Table 1: 3" Packing Performance Data

3" Washpipe Packing			
See Matrix for Top Drive Applications			
Application	Standard	High Temperature	High Speed
Canrig Packing #	R10542	R10544	R10546
Pressure (psi)	7500		
Temp (°F)	-10 to 300	-10 to 400	-10 to 300
Rotation (fpm)	264	278	396
PV (psi-fpm)	650,000	900,000	950,000
RPM**	278	293	417
WP Barrel OD (in)	3.625		

** RPM may be limited by maximum RPM of Top Drive

Table 2: 4" Packing Performance Data

4" Washpipe Packing		
See Matrix for Top Drive Applications		
Application	High Temperature	High Speed
Canrig Packing #	R10548	R10550
Pressure (psi)	7500	
Temp (°F)	-10 to 400	-10 to 300
Rotation (fpm)	278	396
PV (psi-fpm)	900,000	950,000
RPM**	218	310
WP Barrel OD (in)	4.875	

** RPM may be limited by maximum RPM of Top Drive

See "Canrig Universal Hammerless Washpipe, 7,500 psi Rated" Matrix (SD10212) on next page.

Note: This document added for "Reference Only". Contact RIGLINE 24/7™ to obtain the most recent revision.

CANRIG UNIVERSAL HAMMERLESS WASHPIPE (7,500 PSI RATED)

Washpipe Packing Performance Data

Application	3" Washpipe Packing			4" Washpipe Packing	
	Standard	High Temperature	High Speed	High Temperature	High Speed
Canrig Packing #	R10542	R10544	R10546	R10548	R10550
Pressure (psi)	7500				
Temp (°F)	-10 to 300	-10 to 400	-10 to 300	-10 to 400	-10 to 300
Rotation (fpm)	264	278	396	278	396
PV (psi-fpm)	650,000	900,000	950,000	900,000	950,000
RPM (See Note 1)	278	293	417	218	310
WP Barrel OD (in)	3.625			4.875	

Washpipe

MAKE AND TYPE OF TOP DRIVE/SWIVEL	BARREL	PACKING			SPARES KIT			WASHPIPE ASSEMBLY		
		STANDARD	HIGH TEMP.	HIGH SPEED	STANDARD	HIGH TEMP.	HIGH SPEED	STANDARD	HIGH TEMP.	HIGH SPEED

CANRIG

TOP DRIVE W/ 3" WASHPIPE

4017AC-122	DT36195	R10542	R10544	R10546	AY25194	AY25194-HT	AY25194-HS	AY25193	AY25193-HT	AY25193-HS
6027E-939										
6027AC-939										
8035E-500										
8050AC-712										
1050E-500										
1050E-712										
1165E-712										
1235AC-500										
1250AC-681										
1250AC-865										
1275AC-865										
SIGMA-500	DT25337	R10542	R10544	R10546	AY25301	AY25301-HT	AY25301-HS	AY25300	AY25300-HT	AY25300-HS

TOP DRIVE W/ 4" WASHPIPE

1175E-712	DT23855	N/A	R10548	R10550	N/A	AY25218-HT	AY25218-HS	N/A	AY25217-HT	AY25217-HS
1275AC-681										
1275AC-865										
SIGMA-500	DT25391	N/A	R10548	R10550	N/A	AY25305-HT	AY25305-HS	N/A	AY25304-HT	AY25304-HS

Rev	By	Date	ECN#	Description
1	R.Belanger	2021-06-01		New matrix

Notes:
1: Do not exceed Top Drive manufacturer's recommended maximum RPM.

Title
Canrig Universal Hammerless Washpipe (7,500 psi Rated)

File No.	Model	N/A
Dwg. No. SD10212	Rev. 1	Sheet 1 of 3
Date 2021-06-01	Drawn J.Fonseca	Checked T.York
		Appd. S.Deel

CANRIG UNIVERSAL HAMMERLESS WASHPIPE (7,500 PSI RATED)

Washpipe

MAKE AND TYPE OF TOP DRIVE/SWIVEL	BARREL	PACKING			SPARES KIT			WASHPIPE ASSEMBLY		
		STANDARD	HIGH TEMP.	HIGH SPEED	STANDARD	HIGH TEMP.	HIGH SPEED	STANDARD	HIGH TEMP.	HIGH SPEED

TESCO

TOP DRIVE W/ 3" WASHPIPE

T-250 (250-EMI)	DT25337	R10542	R10544	R10546	AY25301	AY25301-HT	AY25301-HS	AY25300	AY25300-HT	AY25300-HS
T-350 (350-EXI)										
T-500 (500-ESI)										
250-HXI										

VARCO

TOP DRIVE W/ 3" WASHPIPE

TDS4-S	DT25337	R10542	R10544	R10546	AY25301	AY25301-HT	AY25301-HS	AY25300	AY25300-HT	AY25300-HS
TDS6-S										
TDS9-S										
TDS10-S										
TDS11-S										

TOP DRIVE W/ 4" WASHPIPE

TDS4-S	DT25391	N/A	R10548	R10550	N/A	AY25305-HT	AY25305-HS	N/A	AY25304-HT	AY25304-HS
TDS8-S										
TDS1000										

BOWEN

TOP DRIVE W/ 3" WASHPIPE

TD350PBE	DT25337	R10542	R10544	R10546	AY25301	AY25301-HT	AY25301-HS	AY25300	AY25300-HT	AY25300-HS
----------	---------	--------	--------	--------	---------	------------	------------	---------	------------	------------

BPM (BEJING PETROLEUM MFG)

TOP DRIVE W/ 3" WASHPIPE

DQ70BSC TOP DRIVE	DT25337	R10542	R10544	R10546	AY25301	AY25301-HT	AY25301-HS	AY25300	AY25300-HT	AY25300-HS
-------------------	---------	--------	--------	--------	---------	------------	------------	---------	------------	------------



Title Canrig Universal Hammerless Washpipe (7,500 psi Rated)			
File No.	Model	N/A	
Dwg. No. SD10212	Rev. 1	Sheet	2 of 3
Date 2021-06-01	Drawn J.Fonseca	Checked T.York	Appd. S.Deel

CANRIG UNIVERSAL HAMMERLESS WASHPIPE (7,500 PSI RATED)

Washpipe

MAKE AND TYPE OF TOP DRIVE/SWIVEL	BARREL	PACKING			SPARES KIT			WASHPIPE ASSEMBLY		
		STANDARD	HIGH TEMP.	HIGH SPEED	STANDARD	HIGH TEMP.	HIGH SPEED	STANDARD	HIGH TEMP.	HIGH SPEED

NATIONAL

SWIVEL W/ 3" WASHPIPE

P-200	DT25337	R10542	R10544	R10546	AY25301	AY25301-HT	AY25301-HS	AY25300	AY25300-HT	AY25300-HS
P-300										
P-400										
P-500										
P-650										
P-650-HP										

SWIVEL W/ 4" WASHPIPE

P-750	DT25391	N/A	R10548	R10550	N/A	AY25305-HT	AY25305-HS	N/A	AY25304-HT	AY25304-HS
-------	---------	-----	--------	--------	-----	------------	------------	-----	------------	------------

TOP DRIVE W/ 3" WASHPIPE

PS-350/500	DT25337	R10542	R10544	R10546	AY25301	AY25301-HT	AY25301-HS	AY25300	AY25300-HT	AY25300-HS
PS-350/500										
PS-500A										

TOP DRIVE W/ 4" WASHPIPE

PS2-650/750 (PS2-650/650)	DT25391	N/A	R10548	R10550	N/A	AY25305-HT	AY25305-HS	N/A	AY25304-HT	AY25304-HS
---------------------------	---------	-----	--------	--------	-----	------------	------------	-----	------------	------------

FLUID DESIGN SOLUTION

TOP DRIVE W/ 3" WASHPIPE

FDS-250 TOP DRIVE	DT25337	R10542	R10544	R10546	AY25301	AY25301-HT	AY25301-HS	AY25300	AY25300-HT	AY25300-HS
-------------------	---------	--------	--------	--------	---------	------------	------------	---------	------------	------------

LEWCO

TOP DRIVE W/ 3" WASHPIPE

DDTD500 TOP DRIVE	DT25337	R10542	R10544	R10546	AY25301	AY25301-HT	AY25301-HS	AY25300	AY25300-HT	AY25300-HS
-------------------	---------	--------	--------	--------	---------	------------	------------	---------	------------	------------

AXON

TOP DRIVE W/ 3" WASHPIPE

250T	DT25337	R10542	R10544	R10546	AY25301	AY25301-HT	AY25301-HS	AY25300	AY25300-HT	AY25300-HS
------	---------	--------	--------	--------	---------	------------	------------	---------	------------	------------



Title			
Canrig Universal Hammerless Washpipe (7,500 psi Rated)			
File No.	Model	N/A	
Dwg. No. SD10212	Rev. 1	Sheet	3 of 3
Date 2021-06-01	Drawn J.Fonseca	Checked T.York	Appd. S.Deel