



Model: PC3000	June 28, 2013
Serial #: See Models Impacted section	
Product Bulletin # Catwalk 29	

PC3000 Skate Stop Bumper Upgrade

Models Impacted

Canrig Automated Catwalk PC3000 Serial Numbers PM3000–1001 to PM3000–1160 and 300158–300390.

Issue

The current skate stops are hidden from the operator's line-of-sight and there is no visual indication of proximity of the skate to the skate stops. Without visual cues, operators sometimes impact the skate stops with the skate at a velocity sufficient to cause damage to the skate.

Recommendation

Install new skate stop bumpers at a different location to better protect the skate. Contact RigLine 24/7 to order Canrig PC3000 Skate Stop Bumper Kit No. AY51074.



In order to ensure the skate makes impact with the new stop bumper first, the distance in which the skate can be retracted on the carrier will be reduced by 1/2 inch (1.3 cm).

Installation and Drawings

Refer to Figures 1–3 for the installation procedure.

1. Follow Canrig welding procedure ENG 704 to weld on the stop blocks. See Figures 1 and 2 for locations.

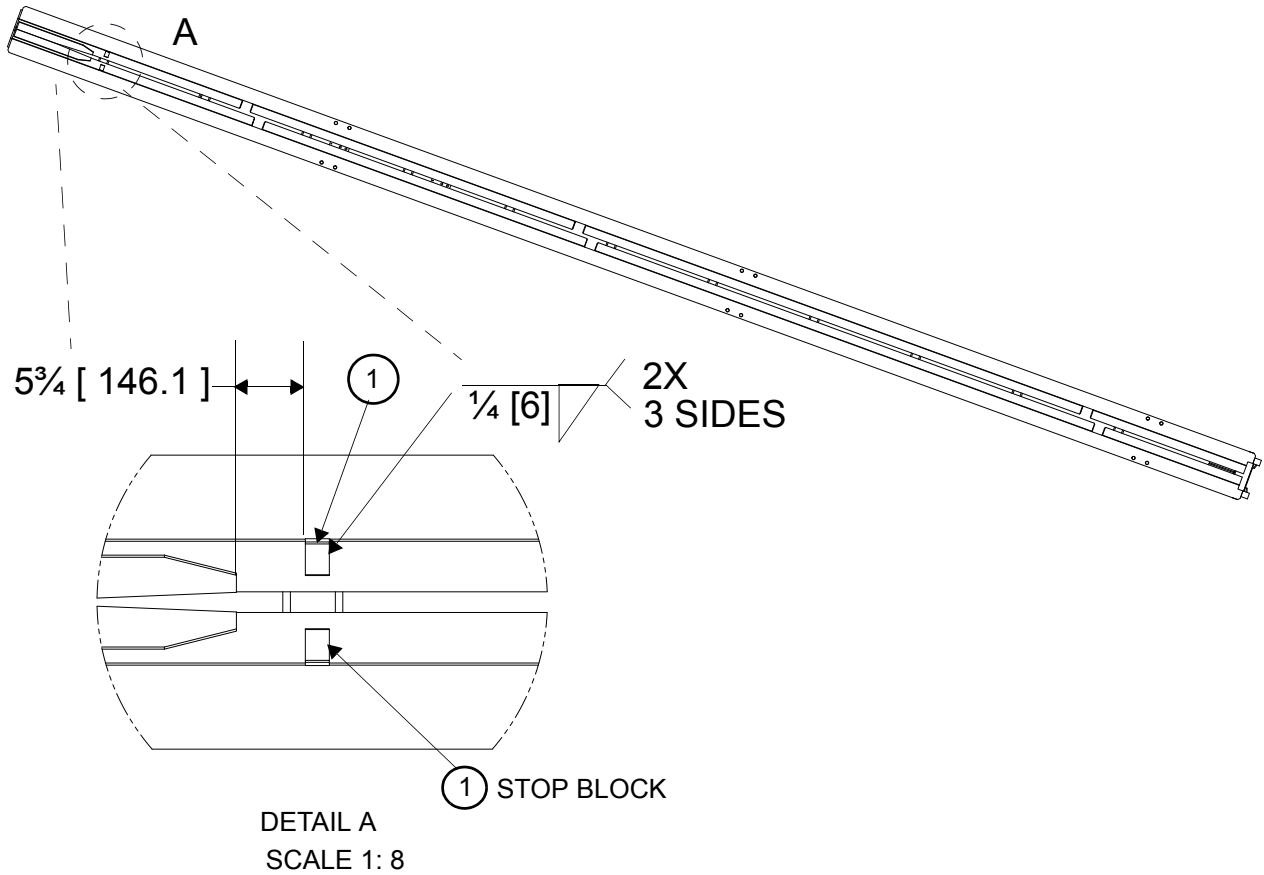


Figure 1: New Bumper Locations, Top View (Reference Drawing AY51074)

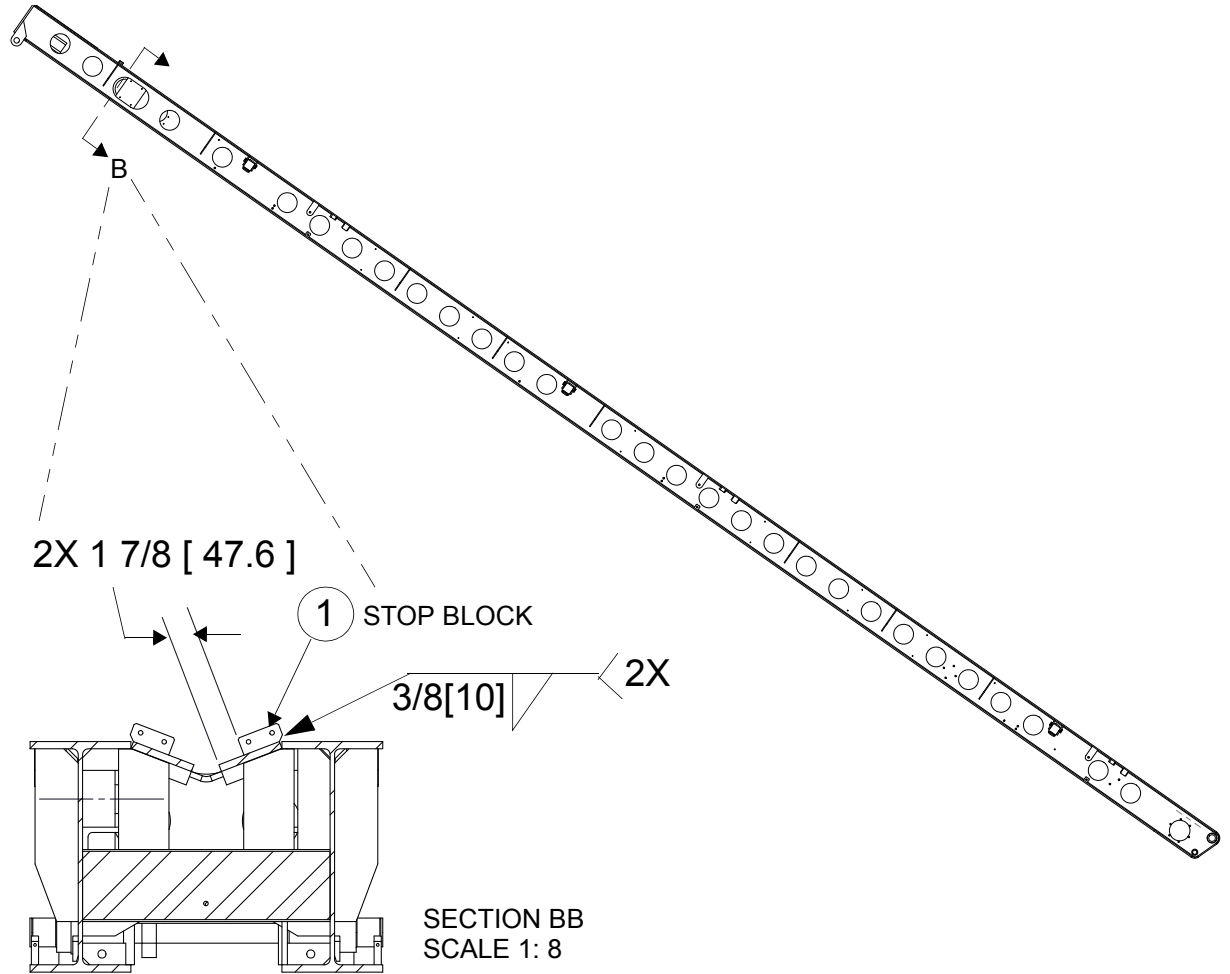


Figure 2: New Bumpers Installed, Cross-section (Reference Drawing AY51074)

Product: PC3000	June 28, 2013
Version: See Models	
Impacted section	

2. Install the bumpers using the provided hardware (Figure 3).

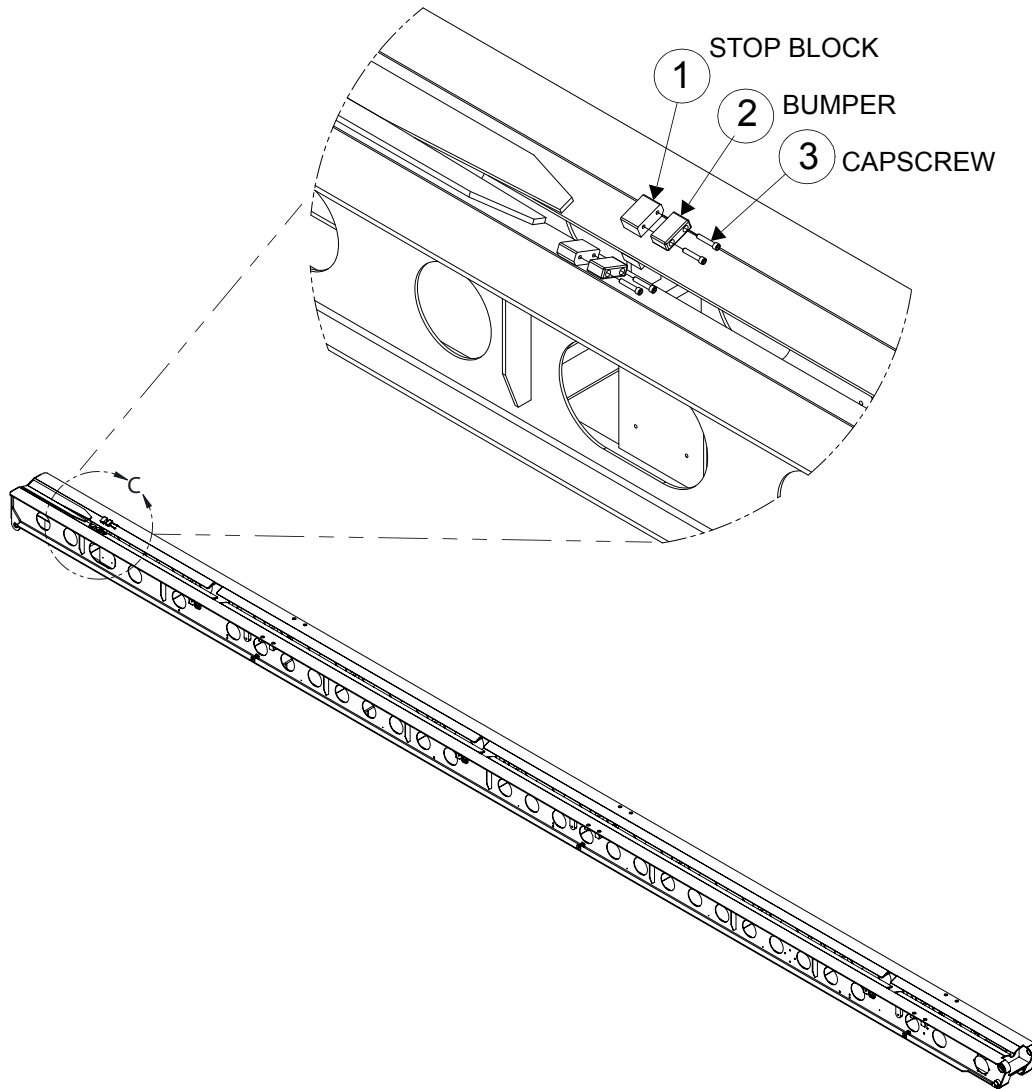


Figure 3: New Bumpers Installed, Angle View (Reference Drawing AY51074)



Product: PC3000 Version: See Models Impacted section	June 28, 2013
--	---------------

Parts List

The following table lists the items included in Canrig PC3000 Skate Stop Bumper Kit No. AY51074.

Table 1: Parts List Canrig Kit No. AY51074

Item	Qty	U/M	Part No.	Description
1	2	EA	DT51010	STOP BLOCK, REAR, SKATE, CARRIER, PC3000
2	2	EA	M11742	BUMPER, RECESSED, 3 L x 1 W x 1 3/4 H
3	4	EA	SH-0375NC-0200-GR8	CAPSCREW, HEXSOC HD, 3/8-16UNC x 2.00, GR8